

Edelbrock Shocks Length and Control Chart - updated 6-5-08 (see Chart below for mounting code reference dimensions)

Part-No.	Extended	Collapsed	Stroke	Body Code	Rodend Code	Part-No.	Extended	Collapsed	Stroke	Body Code	Rodend Code
3300	16.54	11.94	4.60	HS9	HS17	3451	27.62	16.87	10.75	S1	HS13
3303	16.54	11.44	5.10	HS9	HS17	3458	22.63	14.53	8.10	H1	HS13
3304	17.39	11.79	5.60	HS20	HS12	3460	23.27	14.87	8.40	H1	HS13
3305	16.54	11.44	5.10	HS9	HS17	3461	21.17	13.72	7.45	H1	HS13
3308	14.42	10.12	4.30	S1	H1	3465	26.22	16.42	9.80	H1	HS13
3309	18.12	14.12	4.00	S1	DB2	3466	20.48	13.39	7.09	S1	SP3
3311	14.12	9.82	4.30	S1	DB2	3469	14.84	10.54	4.30	HS11	HS31
3312	13.98	9.69	4.29	S1	DB2	3470	21.36	13.76	7.60	HS35	S2
3315	14.12	9.82	4.30	S1	DB2	3474	25.29	15.90	9.39	H1	H6
3316	13.62	9.62	4.00	S1	HS26	3479	19.91	13.19	6.72	DB1	SP3
3317	14.72	10.12	4.60	S1	HS13	3481	20.02	12.98	7.04	S1	HS13
3318	20.02	12.92	7.10	S1	DB2	3483	20.69	13.57	7.12	H8	H8
3319	22.18	14.08	8.10	S1	HS26	3484	22.60	14.50	8.10	HS17	HS17
3320	16.54	11.44	5.10	HS17	HS17	3485	24.37	15.47	8.90	HS26	HS26
3321	20.71	13.25	7.46	S1	DB2	3489	25.37	15.97	9.40	DB1	HS13
3323	14.72	10.12	4.60	S1	HS13	3490	18.44	12.35	6.09	H1	H6
3328	21.42	13.62	7.80	S1	DB2	3496	24.37	15.47	8.90	HS26	HS26
3329	11.82	8.62	3.20	S1	DB2	33004	13.47	9.53	3.94	S1	DB1
3330	14.58	10.29	4.29	SP1	HS12	33010	14.62	10.32	4.30	S1	DB2
3337	24.77	15.37	9.40	S1	HS13	33012	15.37	11.08	4.29	S1	Clevis
3338	13.98	9.69	4.29	S1	DB2	33016	12.33	8.99	3.34	S1	DB2
3340	14.12	9.88	4.24	S1	DB1	33017	15.45	10.85	4.60	S1	HS21
3341	14.72	10.12	4.60	S1	HS13	33018	16.32	11.22	5.10	S1	DB1
3342	15.28	10.39	4.89	S1	HS11	33019	13.33	9.34	3.99	S1	DB2
3344	23.27	14.67	8.60	S1	HS26	33020	14.72	10.18	4.54	S1	DB1
3345	14.12	9.82	4.30	S1	DB2	33021	13.98	9.69	4.29	S1	DB2
3350	15.02	10.72	4.30	S1	DB2	33022	15.32	10.72	4.60	S1	DB2
3351	14.45	10.45	4.00	S1	HS14	33023	14.12	9.88	4.24	S1	DB2
3353	14.58	9.99	4.59	S1	HS13	33024	15.73	11.14	4.59	S1	Clevis
3358	14.12	9.82	4.30	S1	HS13	33027	15.28	10.39	4.89	S1	DB2
3360	14.55	10.25	4.30	S1	HS14	33028	13.23	9.49	3.74	S1	DB1
3366	13.33	9.34	3.99	S1	DB2	33031	18.80	15.03	3.77	Coil Over	Coil Over
3368	18.30	11.93	6.37	S1	H1	33032	15.09	10.19	4.90	S1	S1
3369	10.84	8.17	2.67	S1	Special	33035	11.65	8.25	3.40	S1	S1
3370	21.46	13.36	8.10	S3	S3	33036	16.03	10.33	5.70	S1	HS21
3374	13.46	9.46	4.00	S1	HS29	33037	15.31	10.71	4.60	S1	HS21
3376	13.23	9.49	3.74	S1	DB2	33039	11.51	8.11	3.40	S1	S1
3377	11.82	8.62	3.20	S1	DB2	33040	13.23	9.49	3.74	S1	DB1
3379	13.32	9.33	3.99	S1	DB2	33041	13.23	9.49	3.74	S1	DB1, DB2
3381	19.68	12.74	6.94	Special	Special	33042	12.23	8.99	3.24	S1	DB2
3383	13.60	9.60	4.00	S1	HS29	33043	13.18	9.32	3.86	S1	DB2
3384	12.68	9.08	3.60	S1	DB2	33044	11.68	8.49	3.19	S1	DB2
3385	13.46	9.46	4.00	S1	HS26	33047	13.98	9.69	4.29	S1	DB2
3389	18.12	14.12	4.00	S1	DB2	33048	14.91	10.01	4.90	S1	S1
3390	13.63	9.69	3.94	S1	DB1	33051	15.81	10.71	5.10	S1	HS21
3391	22.63	14.53	8.10	HS13	HS13	33053	14.68	10.09	4.59	S1	HS37
3400	24.99	16.09	8.90	DB1	HS26	33054	16.52	11.28	5.24	S1	DB1
3403	23.39	14.99	8.40	DB1	HS26	33055	15.07	10.78	4.29	S1	CLEVIS
3405	23.39	14.99	8.40	DB1	HS26	33058	14.58	10.29	4.29	SP1	HS12
3407	25.23	15.84	9.39	H1	HS13	33120	11.46	8.54	2.92	H1	HS7
3408	25.34	15.94	9.40	DB1	HS13	33121	14.16	9.94	4.22	H1	HS7
3409	25.37	15.97	9.40	DB1	HS13	33122	11.46	8.54	2.92	H1	HS7
3411	26.01	16.08	9.93	DB1	HS26	33123	14.16	9.94	4.22	H1	HS7
3412	26.45	16.52	9.93	DB1	HS26	33211	15.62	10.72	4.90	S1	H6
3415	22.75	14.65	8.10	DB1	HS26	33212	18.11	13.82	4.29	S1	DB2
3417	22.49	14.40	8.09	H1	HS13	33213	13.92	10.72	3.20	S1	DB1
3418	19.01	12.63	6.38	DB4	HS13	33214	14.16	9.86	4.30	DB2, DB1	S1
3419	24.37	15.47	8.90	HS26	HS26	33216	22.49	14.40	8.09	H1	HS13
3420	23.39	14.99	8.40	DB1	HS26	33222	13.47	9.53	3.94	S1	DB2
3421	21.37	13.92	7.45	H1	HS13	33224	21.99	14.19	7.80	H1	HS13
3423	24.29	15.39	8.90	HS17	HS17	33225	14.12	9.88	4.24	S1	H6
3428	19.75	13.03	6.72	DB4	H1	33229	13.52	9.85	3.67	HS2	H1
3429	23.39	14.99	8.40	DB1	HS26	33232	12.15	8.55	3.60	S1	S1
3430	22.68	14.58	8.10	SP2	HS26	33235	12.76	8.76	4.00	S1	S1
3432	22.62	14.52	8.10	DB1	HS26	33237	14.01	9.71	4.30	DB2, DB1	S1
3437	19.01	12.63	6.38	H1	HS13	33238	11.97	8.37	3.60	S1	S1
3438	22.75	14.65	8.10	HS17	HS17	33239	20.86	13.40	7.46	S1	HS26
3440	14.25	9.95	4.30	S1	HS27	33405	12.08	8.69	3.39	S1	DB2
3441	24.29	15.39	8.90	HS17	HS17	33412	13.46	9.46	4.00	S1	DB3
3442	19.09	12.71	6.38	HS23	HS11	33413	14.58	9.99	4.59	S1	HS3
3444	26.27	16.47	9.80	HS26	HS26	33414	23.17	14.57	8.60	S1	HS26
3445	22.75	14.65	8.10	DB1	HS26	33415	16.00	10.91	5.09	S1	HS26

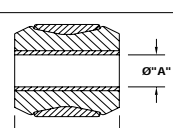
Edelbrock Shocks Length and Control Chart - updated 6-5-08 (see Chart below for mounting code reference dimensions)

Part-No.	Extended	Collapsed	Stroke	Body Code	Rodend Code	Part-No.	Extended	Collapsed	Stroke	Body Code	Rodend Code
33417	16.32	11.22	5.10	S6	DB3	34414	27.83	17.33	10.50	HS26	HS26
33418	22.03	14.08	7.95	S1	HS14	34416	23.99	15.39	8.60	HS39	HS38
33651	18.61	11.89	6.72	S1	S1	34417	27.99	17.49	10.50	HS26	HS26
33653	20.85	13.05	7.80	S1	S1	34418	22.75	14.65	8.10	DB5	HS14
33780	16.23	11.50	4.73	1/2" Bearing	1/2" Bearing	34651	24.59	15.69	8.90	H3	HS34
33781	11.50	8.56	2.94	HS3	S1	34700	14.89	10.59	4.30	Coil Over	Coil Over
33840	14.72	10.12	4.60	S1	HS3	34701	18.78	13.68	5.10	Coil Over	Coil Over
33880	11.82	8.62	3.20	S1	HS1	34780	16.63	11.90	4.73	1/2" Bearing	5/8" Bearing
33950	14.01	9.41	4.60	S1	S1	34781	15.18	10.59	4.59	HS3	H6
33952	14.01	9.41	4.60	S1	S1	34782	16.11	10.71	5.40	S1	S1
33985	13.23	9.49	3.74	S1	HS11	34840	22.19	14.40	7.79	HS13	H7
33987	13.98	9.69	4.29	S1	DB2	34880	18.44	12.06	6.38	S1	H1
33992	14.11	9.81	4.30	S1	HS29	34950	20.57	13.12	7.45	S1	H5
33996	14.12	9.82	4.30	S1	DB2	34952	20.59	13.12	7.47	S1	H5
33999	23.15	14.25	8.90	S1	S1	34981	19.18	12.46	6.72	S1	SP4
34004	13.41	9.81	3.60	HS17	HS27	34984	16.07	11.37	4.70	H9	HS12 HS22 HS28
34010	24.00	15.40	8.60	HS26	HS26	34985	18.43	12.05	6.38	S1	HS23
34011	23.09	14.99	8.10	DB1	HS26	34988	20.24	13.34	6.90	DB1	HS26
34012	26.88	16.95	9.93	HS26	HS26	34996	20.02	12.92	7.10	DB1	S1
34016	19.91	13.20	6.71	DB1	SP3	34999	23.25	14.65	8.60	S1	H8
34017	26.10	16.50	9.60	HS25	HS26	63009	23.03	14.44	8.59	S1	Clevis
34018	15.90	11.66	4.24	S1	Clevis	63010	22.01	13.41	8.60	S1	HS21
34019	19.79	13.19	6.60	HS26	HS26	63011	21.81	16.01	5.80	S1	HS21
34021	19.77	13.05	6.72	DB1	HS26	63012	15.28	10.39	4.89	S1	DB2
34023	22.75	14.80	7.95	HS26	HS26	63013	24.34	15.45	8.89	HS9	HS17
34024	23.11	15.65	7.46	HS26	HS26	63014	21.80	15.09	6.71	S1	Clevis
34027	23.31	15.06	8.25	HS26	HS26	63015	21.53	14.81	6.72	S1	HS21
34028	14.04	10.04	4.00	HS7	H1	63016	21.63	14.25	7.38	S1	Clevis
34029	21.99	14.19	7.80	DB1	HS12	63017	21.63	14.24	7.39	S1	Clevis
34030	20.92	13.82	7.10	DB1	SP3	63019	21.53	14.14	7.39	S1	DB2
34031	19.18	12.46	6.72	S1	SP3	63020	23.80	14.40	9.40	S1	HS21
34032	18.44	12.06	6.38	S1	HS12	63021	23.75	14.95	8.80	S1	HS21
34035	17.92	11.82	6.10	S1	H1	63022	23.27	14.44	8.83	S1	Clevis
34036	27.57	17.27	10.30	HS26	HS26	63023	21.97	13.43	8.54	S1	HS21
34037	25.74	16.34	9.40	HS26	HS26	63204	25.24	15.25	9.99	HS13	HS13
34039	17.78	11.69	6.09	S1	H1	63205	20.05	12.45	7.60	S1	HS14
34040	13.93	9.94	3.99	HS7	H1	63206	29.34	17.35	11.99	HS13	HS13
34041	19.80	13.09	6.71	DB1	SP3	63207	19.23	12.51	6.72	S1	HS14
34043	19.80	13.09	6.71	DB1	SP3	63208	24.16	15.27	8.89	HS13	HS13
34045	20.81	13.72	7.09	DB1	SP3	63209	28.06	17.32	10.74	HS13	HS13
34046	19.04	12.33	6.71	S1	HS12	63210	27.28	16.08	11.20	S6	HS26
34047	19.91	12.81	7.10	DB1	S1	63211	25.79	16.39	9.40	HS13	HS13
34048	18.30	11.93	6.37	S1	HS12	63212	25.35	15.41	9.94	HS13	HS13
34049	21.88	14.09	7.79	DB1	HS12	63213	28.99	17.25	11.74	HS13	HS13
34050	19.04	12.33	6.71	S1	H5	63502	19.98	13.09	6.89	H1	H1
34051	27.37	17.27	10.10	HS26	HS26	63505	25.46	15.16	10.30	S1	HS26
34053	23.39	14.99	8.40	DB1	HS26	63506	25.33	15.03	10.30	S1	DB2
34054	16.00	11.46	4.54	S1	CLEVIS	63507	26.68	15.69	10.99	S1	HS13
34055	24.42	15.52	8.90	DB1	HS26	63508	26.68	15.69	10.99	S1	DB2
34058	21.65	14.05	7.60	HS11	HS11	63509	28.68	16.88	11.80	S1	DB2
34059	17.39	11.79	5.60	HS12	HS12	63510	26.68	15.69	10.99	S1	DB2
34111	19.53	12.69	6.84	H8	H8	63511	15.71	10.31	5.40	S1	HS26
34113	20.76	12.92	7.84	S1	HS11	63512	24.32	15.22	9.10	S1	HS26
34120	12.69	9.65	3.04	5/8 Bearing	5/8 Bearing	63513	15.27	10.57	4.70	S1	HS26
34121	15.59	11.15	4.44	5/8 Bearing	5/8 Bearing	63514	24.13	15.04	9.09	S1	DB2
34211	27.58	17.09	10.49	H1	HS13	63515	26.98	16.49	10.49	S1	DB2
34212	26.22	16.42	9.80	H1	HS13	63516	25.48	15.69	9.79	S1	HS13
34213	22.63	14.53	8.10	H1	HS13	63517	25.48	15.69	9.79	S1	DB2
34214	16.25	10.65	5.60	S1	S1	63518	22.67	14.27	8.40	S1	DB2
34216	30.23	18.44	11.79	H1	HS13	63519	23.58	14.69	8.89	S1	DB2
34222	19.18	12.52	6.66	S1	SP3	63522	25.81	15.32	10.49	S1	HS14
34224	28.32	18.22	10.10	DB1	HS13	63523	24.41	15.32	9.09	S1	HS14
34225	25.37	15.97	9.40	DB1	HS13	63901	23.35	14.45	8.90	HS13	HS13
34229	12.77	9.57	3.20	H9	HS12 HS22 HS28	63902	26.95	16.20	10.75	HS13	HS13
34231	13.40	9.80	3.60	HS11	HS31	63903	31.80	18.80	13.00	HS13	HS13
34234	19.52	14.42	5.10	S1	HS26	63904	35.95	20.95	15.00	HS13	HS13
34235	20.31	12.71	7.60	S1	S1	63905	23.35	14.45	8.90	HS13	HS13
34237	16.11	10.51	5.60	S1	S1	63906	26.95	16.20	10.75	HS13	HS13
34239	28.88	17.73	11.15	H1	HS13	63907	31.80	18.80	13.00	HS13	HS13
34404	22.14	14.35	7.79	HS8	HS12	63908	35.95	20.95	15.00	HS13	HS13
34405	21.88	14.09	7.79	HS17	HS17	63909	16.24	10.85	5.39	HS13	HS13
34412	26.52	16.73	9.79	HS26	HS26	63910	20.18	12.79	7.39	HS13	HS13

Edelbrock Shocks Length and Control Chart - updated 6-5-08 (see Chart below for mounting code reference dimensions)

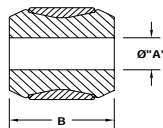
Part-No.	Extended	Collapsed	Stroke	Body Code	Rodend Code	Part-No.	Extended	Collapsed	Stroke	Body Code	Rodend Code
63912	22.73	14.64	8.09	HS13	HS13	64206	36.28	21.29	14.99	H1	HS13
63913	26.63	16.64	9.99	HS13	HS13	64207	27.48	16.74	10.74	S1	HS13
63914	31.26	19.10	12.16	HS13	HS13	64208	31.96	19.37	12.59	H1	HS13
63915	35.46	21.27	14.19	HS13	HS13	64209	35.00	21.01	13.99	H1	HS13
63916	20.32	13.33	6.99	HS13	HS13	64210	36.13	21.13	15.00	H1	HS13
63917	22.73	14.64	8.09	HS13	HS13	64212	33.45	19.51	13.94	H1	HS13
63921	37.39	21.39	16.00	HS13	HS13	64213	35.95	21.01	14.94	H1	HS13
63922	37.39	21.39	16.00	HS13	HS13	64505	27.08	16.28	10.80	HS26	HS26
63923	16.09	10.75	5.34	HS13	HS13	64506	24.13	14.73	9.40	DB4	H1
63924	20.14	12.80	7.34	HS13	HS13	64507	24.13	14.74	9.39	H1	HS13
64009	30.20	18.00	12.20	HS26	HS26	64508	25.28	15.29	9.99	DB4	HS13
64010	30.20	18.00	12.20	HS26	HS26	64509	26.33	15.84	10.49	DB4	H1
64013	30.40	18.60	11.80	DB1	HS26	64510	26.45	15.96	10.49	H1	HS13
64014	29.49	18.29	11.20	HS26	HS26	64512	26.65	16.85	9.80	HS26	HS26
64015	29.79	18.39	11.40	HS26	HS26	64514	23.11	14.72	8.39	DB4	H1
64016	30.00	18.00	12.00	HS26	HS26	64515	25.21	15.82	9.39	DB4	H1
64017	28.65	17.90	10.75	HS26	HS26	64516	23.11	14.71	8.40	H1	HS13
64020	32.95	19.75	13.20	HS26	HS26	64517	23.69	15.09	8.60	DB4	HS13
64021	32.35	19.75	12.60	HS26	HS26	64518	25.30	15.90	9.40	H1	HS13
64022	30.37	18.03	12.34	HS26	HS26	64519	21.86	14.07	7.79	DB4	HS13
64204	33.64	19.65	13.99	H1	HS13	64522	26.83	16.09	10.74	DB5	HS14
64205	28.73	16.74	11.99	S1	HS13	64523	25.48	16.09	9.39	DB5	HS14

MOUNTING CODE "HS" - HOOP AND BUSHING WITH SLEEVE



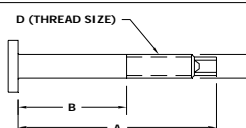
CODE	ØA	B
HS1	.385	1.38
HS2	.438	1.38
HS3	.448	1.25
HS7	.459	1.38
HS8	.480	1.68
HS9	.480	2.48
HS11	.500	1.25
HS12	.500	1.38
HS13	.500	1.48
HS14	.500	1.56
HS17	.500	1.68
HS20	.500	2.25
HS21	.562	1.34
HS22	.562	1.38
HS23	.562	1.48
HS24	.562	1.53
HS25	.562	1.56
HS26	.562	1.68
HS27	.623	1.65
HS28	.625	1.38
HS29	.625	1.48
HS31	.647	1.65
HS34	.750	1.75
HS35	.750	1.58
HS36	.750	1.90
HS37	.500	1.00
HS38	.500	1.62
HS39	.500	1.85

MOUNTING CODE "H" - HOOP AND BUSHING



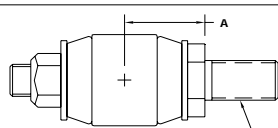
CODE	ØA	B
H1	$\frac{5}{8}$	1.40
H2	$\frac{11}{16}$	1.65
H3	$\frac{3}{4}$	1.50
H4	1	1.75
H5	$\frac{5}{8}$	1.13
H6	.655	1.20
H7	.695	1.35
H8	$\frac{3}{4}$	1.38
H9	$\frac{7}{8}$	1.33

MOUNTING CODE "S" - STEM MOUNT



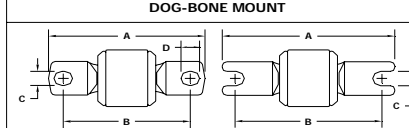
CODE	A	B	C	D
S1	3.00	1.63	10mm	M10x1.5
S2	2.80	1.40	.563	$\frac{7}{16}$ -20
S3	2.33	1.40	.563	$\frac{7}{16}$ -20
S6	2.75	1.69	14mm	M12x1.25

MOUNTING CODE "SP" - SIDE POST MOUNT



CODE	A	B
SP1	1.50	5/8
SP2	1.25	5/8
SP3	1.16	1/2
SP4	1.25	1/2

MOUNTING CODE "DB" - HOOP AND BUSHING WITH DOG-BONE MOUNT



CODE	TYPE	A	B	C	D
DB1	CLOSED	3.55	2.86	.360	.420
DB2	CLOSED	3.20	2.48	.360	.420
DB3	CLOSED	3.61	2.90	.360	.460
DB4	OPEN	3.77	3.13	.360	-
DB5	OPEN	3.70	3.20	.400	-