

CALPORT CAN-FEMALE CAN-MALE CAM/HALL EFFECT CRANK CAM

PN 301311

IGNITION ADAPTER - GM LS1/LS6

REVISIONS			
LTR	DESCRIPTION	DATE	APPROVED
	INITIAL RELEASE	08/25/06	
A	ADD INSTRUCTION PN	09/21/06	
B	ADD XIM TO XFI CAN WIRING NOTE	11/01/06	
C	CAN LAYOUT CHANGE. INTERCONNECT REMOVED.	02/05/07	
D	CAN TWIST NOTE.	04/12/07	
E	ADD TERMINATING RESISTOR VALUE NOTE.	01/15/08	

XIM CONNECTOR 30 PIN

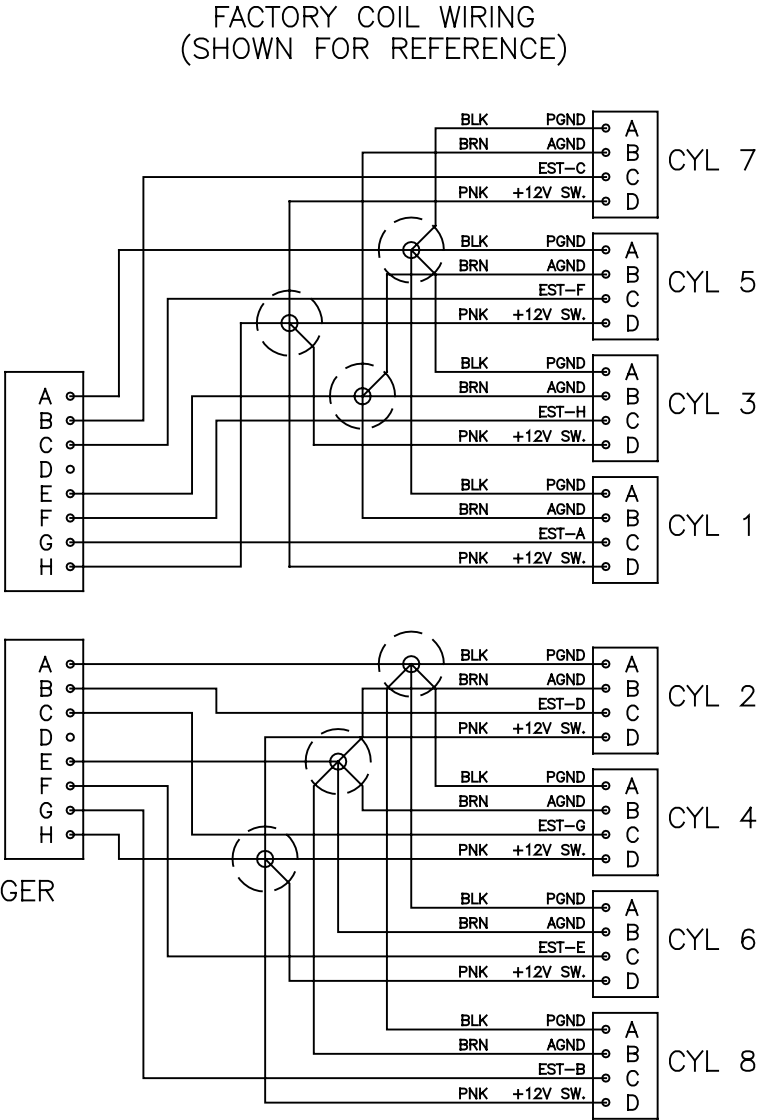
30-A1	IPU CRANK INPUT	
30-A2	DISCRETE CRANK IN. YELLOW	
30-A3	CRANK OUTPUT BROWN/WHITE	
30-B1	DIGITAL GND BLACK/WHITE	
30-B2	DIGITAL GND BLACK/WHITE	
30-B3	CAM OUTPUT YELLOW/BLACK	
30-C1	IPU CAM INPUT	
30-C2	DISCRETE CAM INPUT BROWN	
30-C3	FLASH ENABLE INPUT BLUE	
30-D1	DIGITAL GND BLACK/WHITE	
30-D2	DIGITAL GND BLACK/WHITE	
30-D3	LOAD INPUT	
30-E1	ANA2 INPUT	
30-E2	5V REFERENCE	
30-E3	ANALOG GND BLACK/PINK	
30-F1	RS-232 RxD #0 BLACK	
30-F2	RS-232 TxD #0 RED	
30-F3	DIGITAL GND WHITE	
30-G1	CAN_H #0 YELLOW	
30-G2	CAN_L #0 GREEN	
30-G3	DIGITAL GND BLACK/WHITE	
30-H1	EST OUTPUT A PURPLE	
30-H2	EST OUTPUT B PURPLE/WHITE	
30-H3	POINTS INPUT	
30-J1	EST OUTPUT C RED	
30-J2	EST OUTPUT E BLUE/WHITE	
30-J3	EST OUTPUT G GREEN/WHITE	
30-K1	EST OUTPUT D RED/WHITE	
30-K2	EST OUTPUT F GREEN	
30-K3	EST OUTPUT H BLUE	

XIM CONNECTOR 18 PIN

18-A1	+12V SWITCHED PINK	
18-A2	USER #1	
18-A3	DIGITAL GND BLACK/WHITE	
18-B1	BATT. VOLTAGE INPUT RED	
18-B2	USER #0	
18-B3	FUEL PUMP OUTPUT	
18-C1	COIL OUTPUT A	
18-C2	AUXILIARY OUTPUT	
18-C3	POWER GND BLACK	
18-D1	COIL OUTPUT D	
18-D2	COIL OUTPUT C	
18-D3	COIL OUTPUT B	
18-E1	COIL OUTPUT E	
18-E2	POWER GND BLACK	
18-E3	POWER GND BLACK	
18-F1	COIL OUTPUT F	
18-F2	COIL OUTPUT G	
18-F3	COIL OUTPUT H	

NOTE: CAN WIRING FROM XIM ULTIMATELY CONNECTS TO CAN WIRING ON XFI.  
 XIM 30-G1 -> XFI C25 (BLUE CONN.)  
 XIM 30-G2 -> XFI C26 (BLUE CONN.)  
 CAP OPEN ENDS OF CAN WIRING WITH 120 OHM TERMINATING RESISTORS.

PN 30197 - XIM HARNESS-LS1



DRIVER COILS

PASSENGER COILS

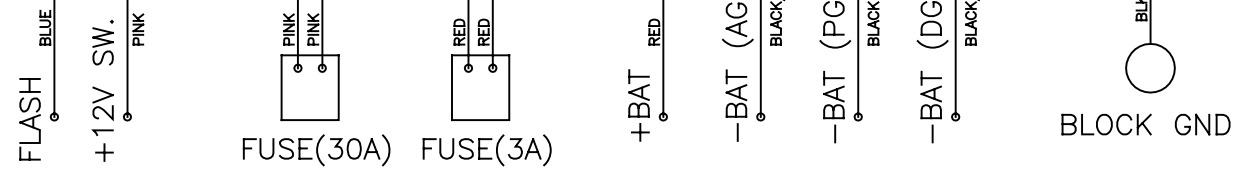
CRANK JUMPER

A B

(CONNECT TO "CRANK" CONNECTOR ON XFI MAIN HARNESS)

FIRING ORDER: 1-8-7-2-6-5-4-3  
 EST OUTPUT.: A-B-C-D-E-F-G-H

DENOTES SPLICE



www.fuelatrapark.com		FAST XFI IGN. ADAPTER	
FAST		GM LS1/LS6 W/ XIM	
FUEL AIR SPARK TECHNOLOGY		PN 301311	
REV: E	DRAWING NO: 301311	DATE: 01/15/08	
INSTRUCTION PN: FAST4-104		SHEET NO: 1 OF 1	