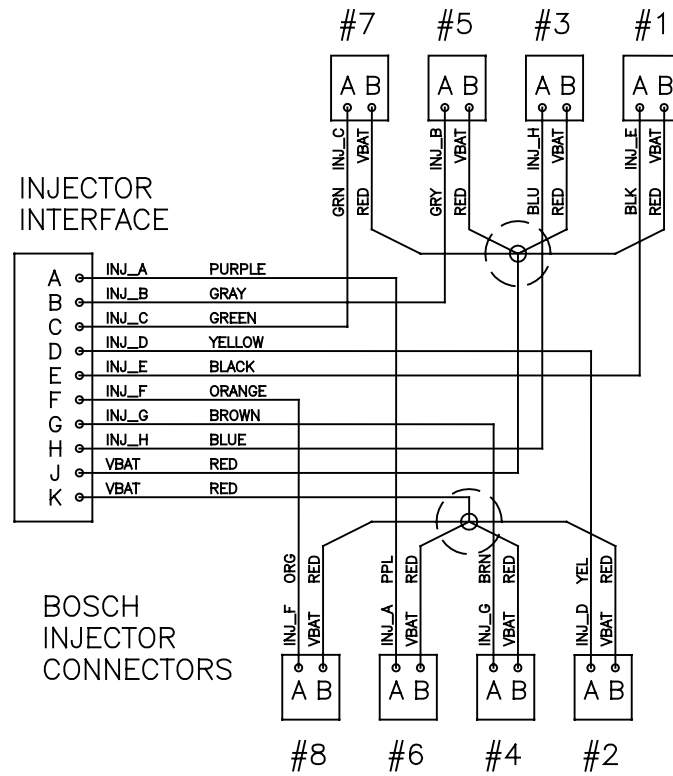


REVISIONS			
LTR	DESCRIPTION	DATE	APPROVED
	INITIAL RELEASE	08/08/06	

PN 301200

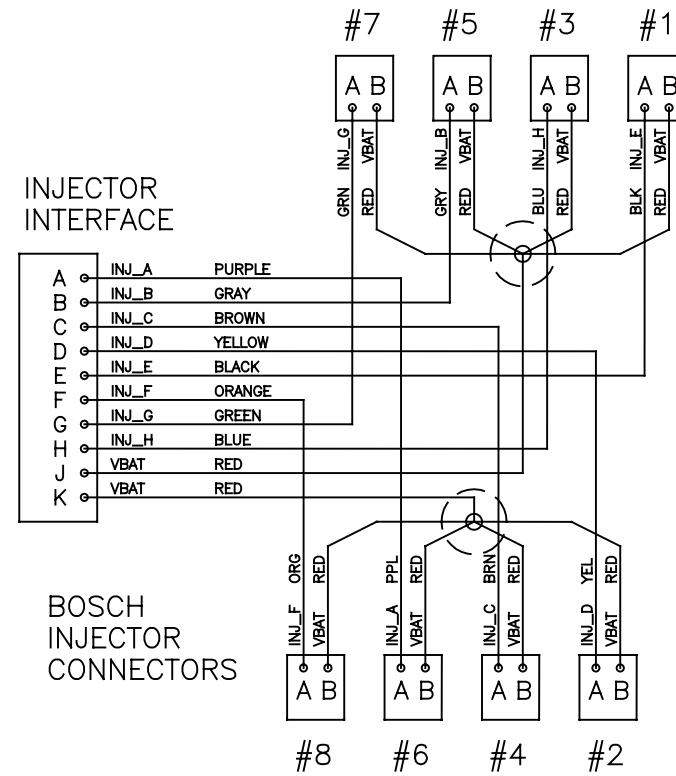
SBC, BBC, LT1, CHRYSLER



FIRING ORDER : 1-8-4-3-6-5-7-2  
INJECTOR OUTPUT : E-F-G-H-A-B-C-D

PN 301201

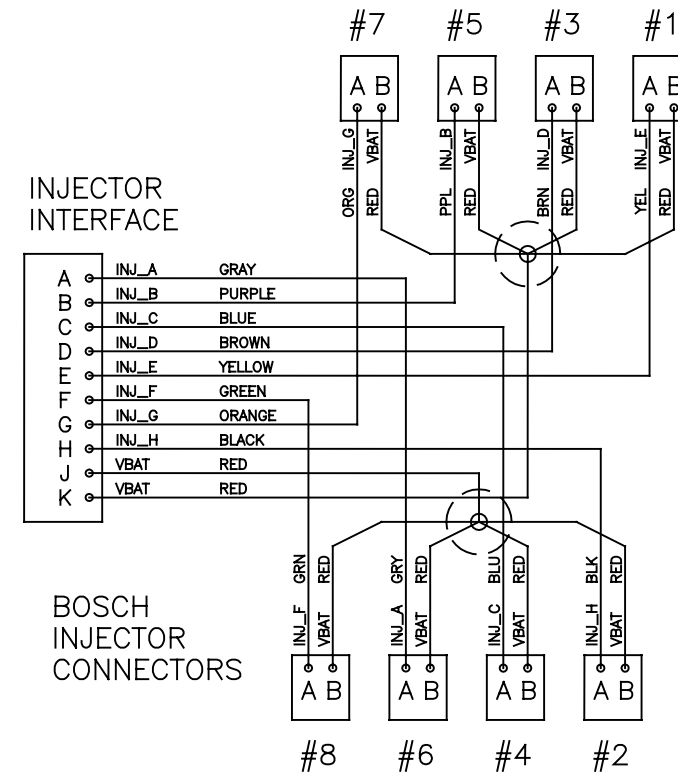
SBC, BBC WITH 4/7 SWAP



FIRING ORDER : 1-8-7-3-6-5-4-2  
INJECTOR OUTPUT : E-F-G-H-A-B-C-D

PN 301202

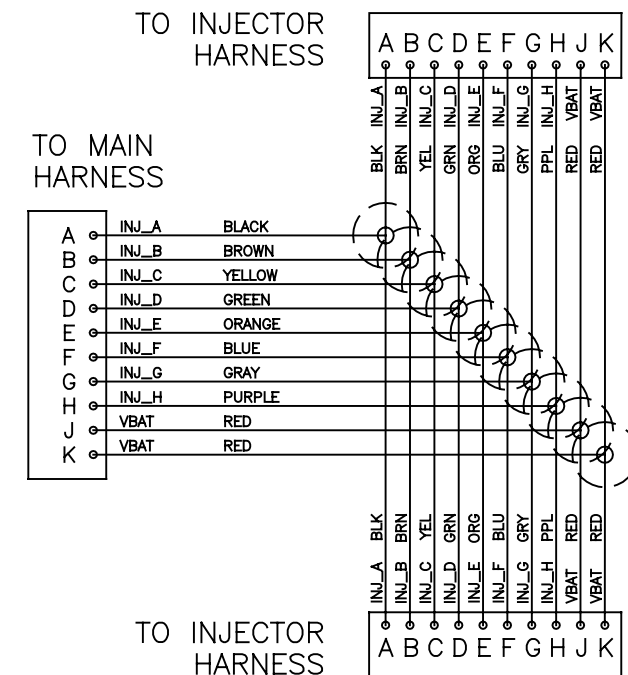
GM GEN III LS1, LS6



FIRING ORDER : 1-8-7-2-6-5-4-3  
INJECTOR OUTPUT : E-F-G-H-A-B-C-D

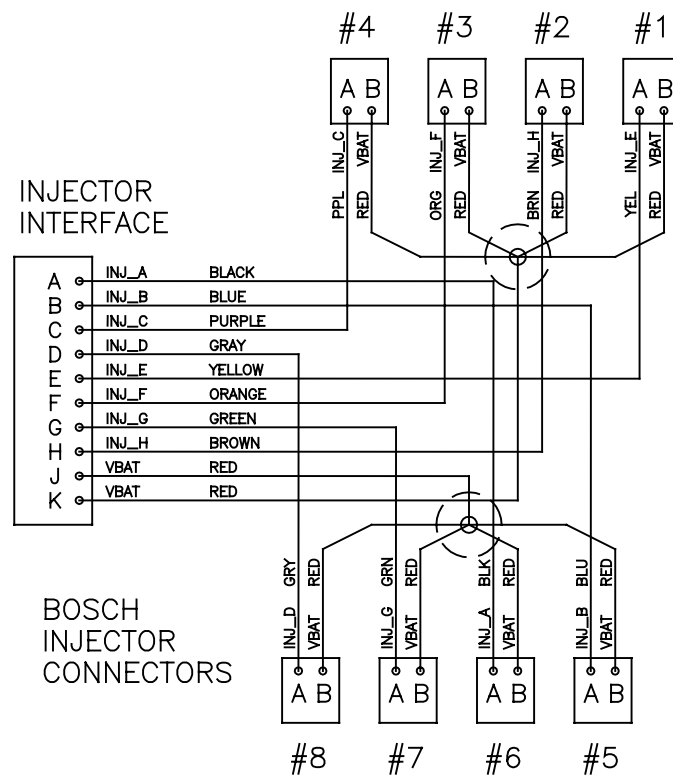
PN 301205

Y ADAPTER



PN 301203

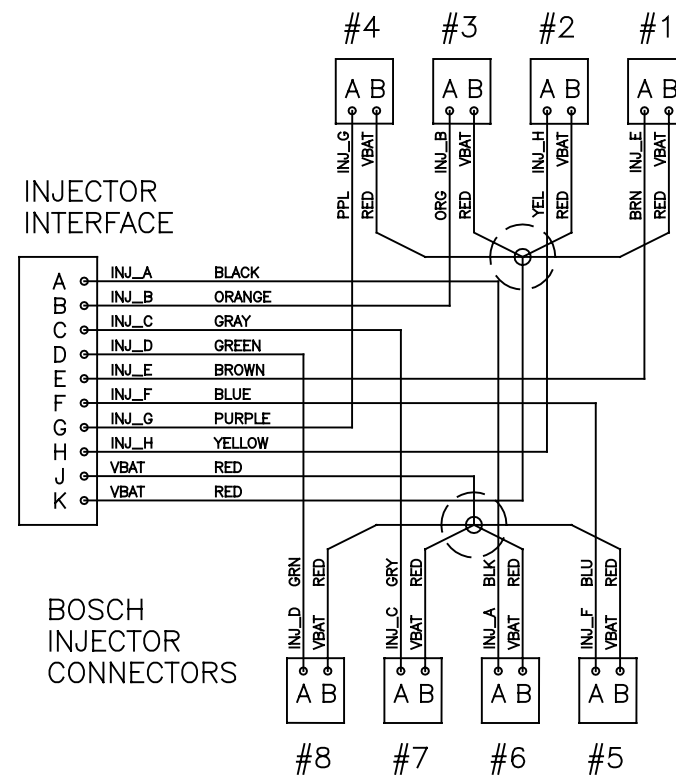
FORD 4.6L, 5.0L, 5.4L, 5.8L



FIRING ORDER : 1-3-7-2-6-5-4-8  
INJECTOR OUTPUT : E-F-G-H-A-B-C-D

PN 301204

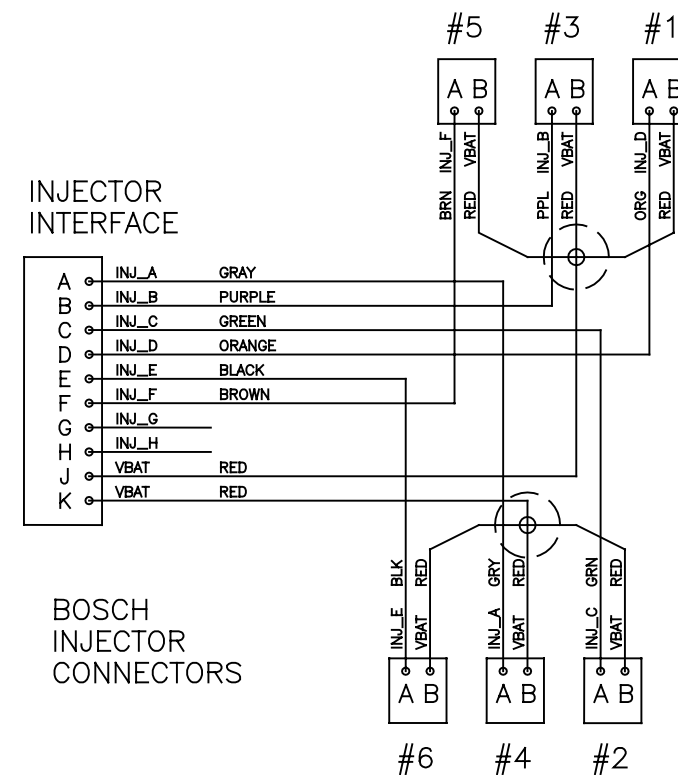
FORD 289, 302, FE, 429, 460



FIRING ORDER : 1-5-4-2-6-3-7-8  
INJECTOR OUTPUT : E-F-G-H-A-B-C-D

PN 301206

BUICK V6



FIRING ORDER : 1-6-5-4-3-2  
INJECTOR OUTPUT : D-E-F-A-B-C

⊙  
DENOTES SPLICE